

CT220 Capacity Counters

PRODUCT DESCRIPTION

The CT220 capacity counters are designed to monitor the numbers of vehicles passing through control points such as the entrance and/or exit of a car park. The output can be used to display 'spaces'/'full' information at the entrance to a car park. The counters can also be used to arm access control panels, barrier logic, etc. And can form part of a traffic control mechanism such as a lane access filter. The microprocessor based capacity counters monitor relay pulses usually from loop detectors to either increment or decrement the count value depending upon the application.



FEATURES

- Monitors available car parking spaces
- Large, clear display - 4 digit, 7 segment
- Total count capacity of from -999 to 9999
- Simple programming via two multifunction push buttons
- Output relay operates when value is less than one, which can be used to control traffic lights, operate full signs, disable entry barriers, etc.
- Two up-count and two down-count inputs
- Buffered and filtered inputs
- Power fail memory retains displayed data for at least one hour following a power failure; typical data retention is one day
- Manual override for output relay

SPECIFICATIONS

Electrical

Power Requirements:	CT222: 230V AC +15% (48 to 60Hz) 1.5VA Maximum @ 230V
Power Requirements:	CT224: 12-12V AC/DC
Input Protection:	Optical isolation voltage 2500V rms spike filter on all inputs to protect against induced voltages on long input lines

Physical

Housing:	High heat ABS Blend
Mounting:	Shelf or DIN-rail socket
Display:	4 digit, 7 segment LED (10mm high)
Controls:	2 multi-function push buttons
Dimensions (mm):	76 x 40 x 78 (L x W x H)

Environmental

Operating Temperature:	-40°C to +65°C
------------------------	----------------

Capacity

Counting capacity:	-999 to 9999
--------------------	--------------

Inputs

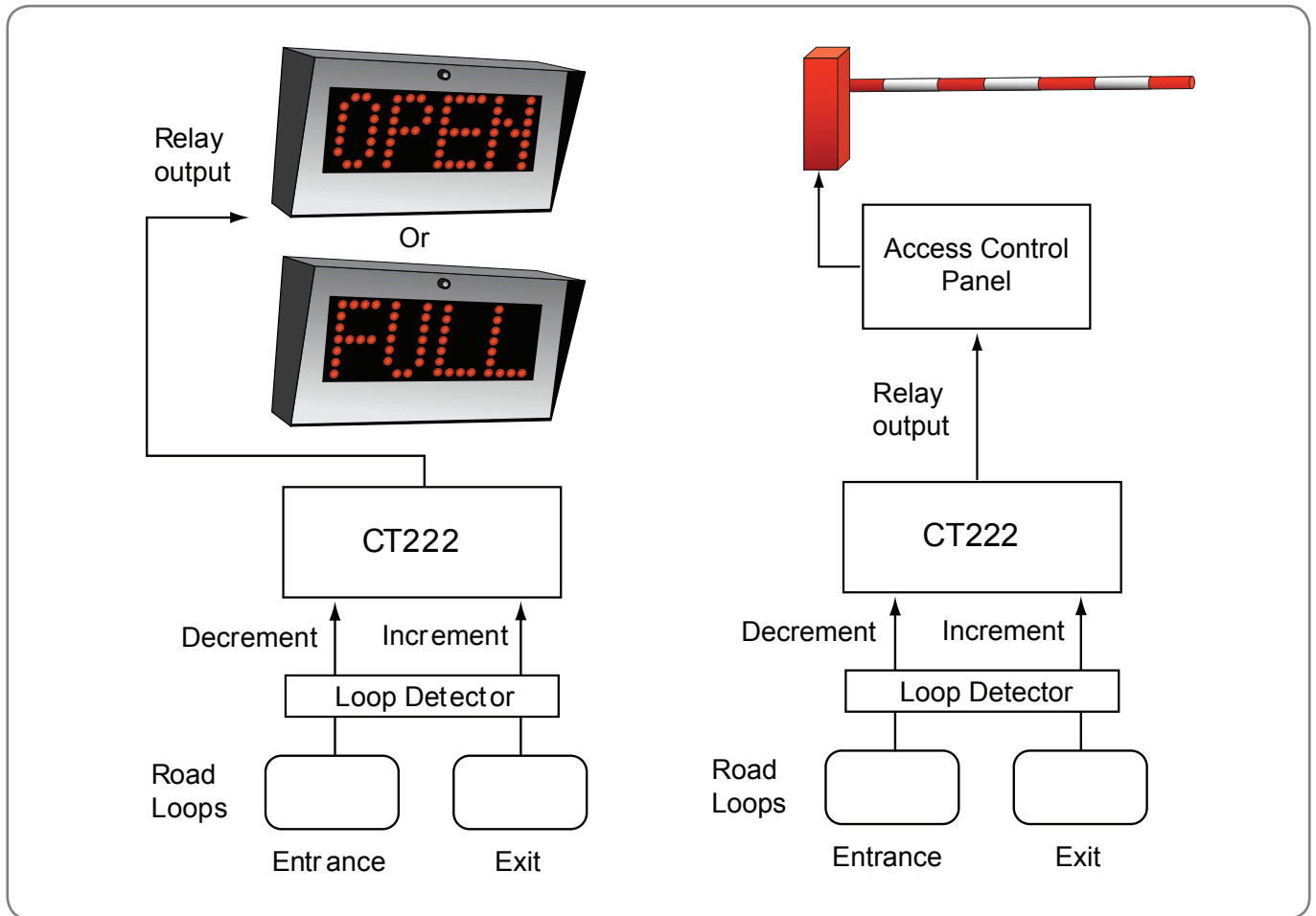
Input functions:	2 x up-count and 2 x down count
Input Actuation:	By contact closure (min 50ms)

Outputs

Output relay:	Change-over contacts (5A @ 230V AC)
---------------	-------------------------------------

CT220 Capacity Counters

Example Applications



Ordering Information

CT222	Capacity Counter
CT224	Capacity Counter (low voltage)
CT220 MUX	Counter multiplexer to allow multiple increment/decrement inputs.

Compatible Products

VMS-OF-RL-R	LED sign with 10cm high characters capable of displaying 'OPEN' or 'FULL' under relay/switch control. All red LED's
VMS-OF-RL-Y	LED sign with 10cm high characters capable of displaying 'OPEN' or 'FULL' under relay/switch control. All yellow LED's
VMS-SF-RL-R	LED sign with 10cm high characters capable of displaying 'SPACE' or 'FULL' under relay/switch control. All red LED's
VMS-SF-RL-Y	LED sign with 10cm high characters capable of displaying 'SPACE' or 'FULL' under relay/switch control. All yellow LED's

Alternative Products

NCT200	4-channel counting system with VMS control bus and PC communications bus. Can operate stand-alone or networked to NorParc or VenueMaster software.
NCT200-48-ENC	4-channel counting system with VMS control bus and PC communications bus. Can operate stand-alone or networked to NorParc or VenueMaster software. Complete with enclosure and 12V DC PSU.
NCT200-TCP-ENC	4-channel counting system with VMS control bus and TCP/IP communications interface. Can operate stand-alone or networked to NorParc or VenueMaster software. Complete with enclosure and 12V DC PSU.