

RC-100 Remote Control Receiver/Controller

PRODUCT DESCRIPTION

The RC-100 is a combined RF remote control receiver and controller unit that is designed for applications where a large number of individually coded RF transmitters are used as credentials to gain access at a controlled access point such as a barrier, gate or rising bollard. The RC-100 can store up to 1,600 transmitter codes making it possible to use transmitter key fobs in the same way as magnetic stripe cards, proximity cards and RFID tags, where each key fob is issued to a user and its unique code recorded against the user's details.

The RC-100 can learn RF transmitter codes from any of the range of Nortech 868MHz transmitters. Once learnt, each code can be individually set to be valid or void and where applicable, to operate an auxiliary output.

Alternatively, a range of sequential transmitter codes can be preprogrammed into the RC-100 and enabled for opening the associated door or barrier in one simple operation. The validity of each transmitter code can then be individually changed as required.



SPECIFICATIONS

Electrical

Supply Voltage:	12 - 24V AC or DC (non-polarised)
Current Requirement:	33 mA quiescent, 133 mA with relay activated

Physical

Display:	2 lines x 8 character LCD
Keypad:	4 button 'Mode/Program', 'Enter', 'Up arrow' (select/digit value) and 'Right arrow' (digit select)
Dimensions (mm):	110 x 80 x 35 (H x W x D)
Cable Termination:	Screw terminals
Weight:	213 grams

Radio Frequency

Frequency:	868.3 MHz
Modulation:	ASK
Operating Range:	100m under open field conditions

Environmental

Operating Temperature:	0°C to 40°C
Storage Temperature:	-20°C to 70°C
Relative Humidity:	95% non-condensing

Capacity

Transmitter Codes:	1,600
--------------------	-------

Inputs

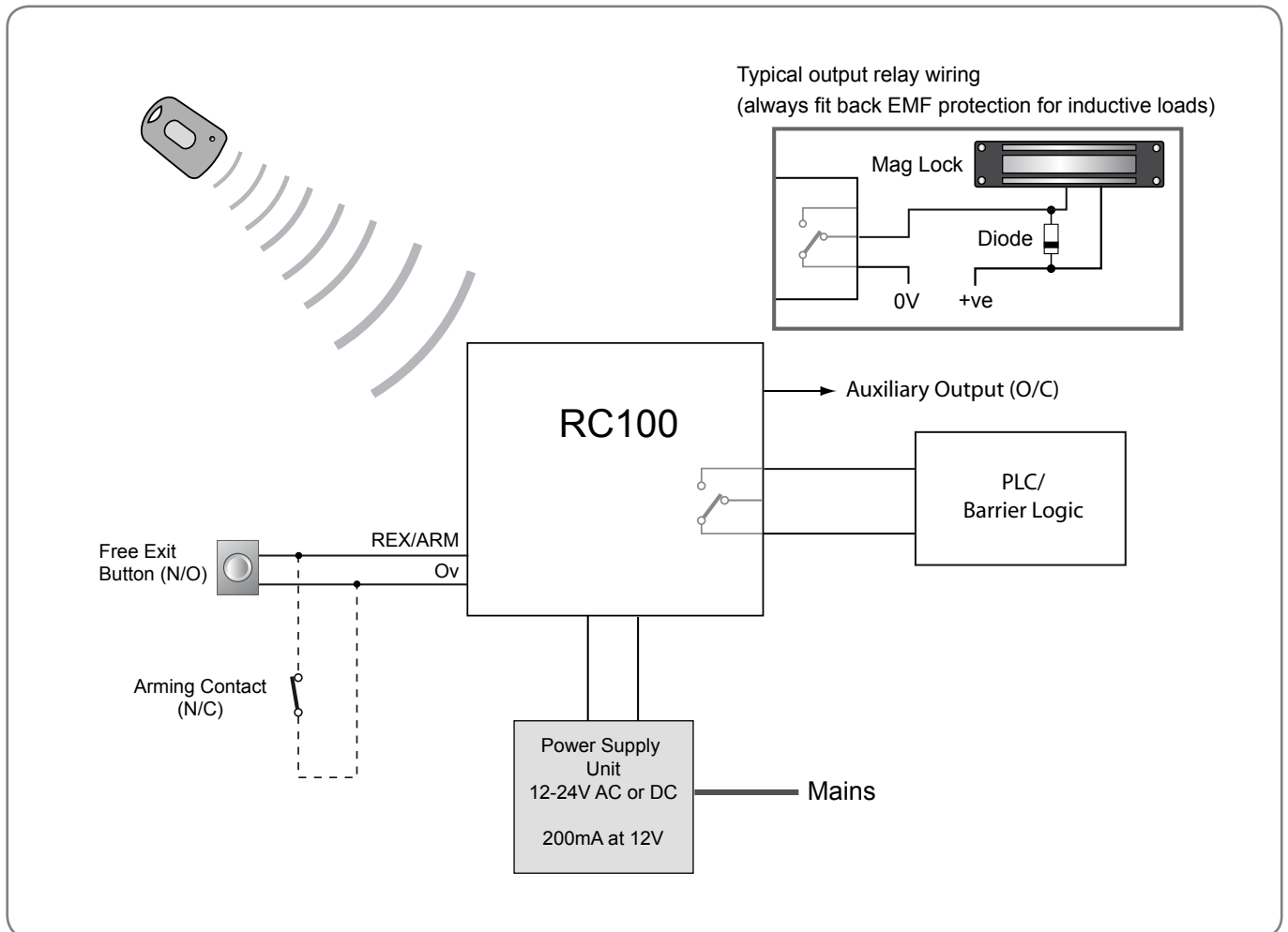
Arming:	Ground activated input. Open-circuit arming (shared input with 'Request to Exit').
Request to Exit:	Ground activated input operating the latch relay (shared with 'Arming').

Outputs

Latch Relay:	Change-over contacts rated at 2A at 30V DC. Programmable operate time 0.5 to 30 seconds.
Auxiliary Output:	Open-collector output for auxiliary control.

RC-100 Remote Control Receiver/Controller

Connection Details



Compatible Transmitters

- | | | | |
|-----------------|---|----------------|----------------------------------|
| RT21-01 | Single channel key fob transmitter | RT20-04 | Four channel key fob transmitter |
| RT21-01S | Sequentially coded single channel key fob transmitter | RTS-03 | 4 channel OEM transmitter |
| RT21-02 | Dual channel key fob transmitter | RTC-02 | Wireless Key pad for 4 PIN codes |

Alternative Products

- | | | | |
|--------------|--|-----------------|--|
| RC-W | RF receiver with 26 bit Wiegand output for connection to a reader controller (CRC100 or CRC200). | RCU01-02 | 2 channel RF receiver with a wide range of operation modes. Low voltage or mains switching. 4 code capacity. IP65 rated. |
| RCL03 | 1 or 2 channel RF receiver with impulse, toggle or permanent output. 10 code capacity. | RCU01-04 | 4 channel RF receiver with a wide range of operation modes. Low voltage or mains switching. 4 code capacity. IP54 rated. |
| RCL04 | 1 or 2 channel RF receiver with impulse, toggle or permanent output. 10 code capacity. IP65 rated. | | |

Ordering Information

- RC-100** Standalone CRC100-R controller with integral RF receiver. Capacity 1,600 transmitter codes.