

CRC100 Standalone Card Reader Controller

PRODUCT DESCRIPTION

The CRC100 is a standalone reader controller suitable for controlling doors, barriers, rising bollards, turnstiles, etc., by validating cards, key fobs, vehicle tags, PINs, etc. presented via a reader interface.

The CRC100 supports both Clock & Data and Wiegand interface formats. It can be used to control access via a single door/barrier and provides a range of standalone access control features.

Two versions of CRC100 are available:

The CRC100-S has a large card capacity and is typically used with a site code and sequential card numbers counting from zero or one.

The CRC100-R is designed to work with random card numbers and is therefore suitable for extending or replacing existing controllers.



SPECIFICATIONS

Electrical

| | |
|----------------------|--|
| Supply Voltage: | 9V to 24V DC (non-polarised) |
| Current Requirement: | 33 mA quiescent, 133 mA with relay activated |
| Reader Supply: | 5V DC (100mA maximum) |

Physical

| | |
|--------------------|--|
| Display: | 2 lines x 8 character LCD |
| Keypad: | 4 button 'Mode/Program', 'Enter', 'Up arrow' (select/digit value) and 'Right arrow' (digit select) |
| Dimensions (mm): | 110 x 80 x 35 (H x W x D) |
| Cable Termination: | Screw terminals |
| Weight: | 212 grams |

Environmental

| | |
|------------------------|--------------------|
| Operating Temperature: | 0°C to 40°C |
| Storage Temperature: | -20°C to 70°C |
| Relative Humidity: | 95% non-condensing |

Capacity

| | |
|-----------|---|
| CRC100-S: | 10,000 sequential card numbers (0 - 9999) |
| CRC100-R: | 1,600 random card numbers |

Inputs

| | |
|------------------|--|
| Reader: | 5-wire reader interface for Clock & Data (ABA Track 2) & Wiegand formats. |
| Arming: | Ground activated input. Open-circuit arming (shared input with 'Request to Exit'). |
| Request to Exit: | Ground activated input operating the latch relay (shared with 'Arming'). |

Outputs

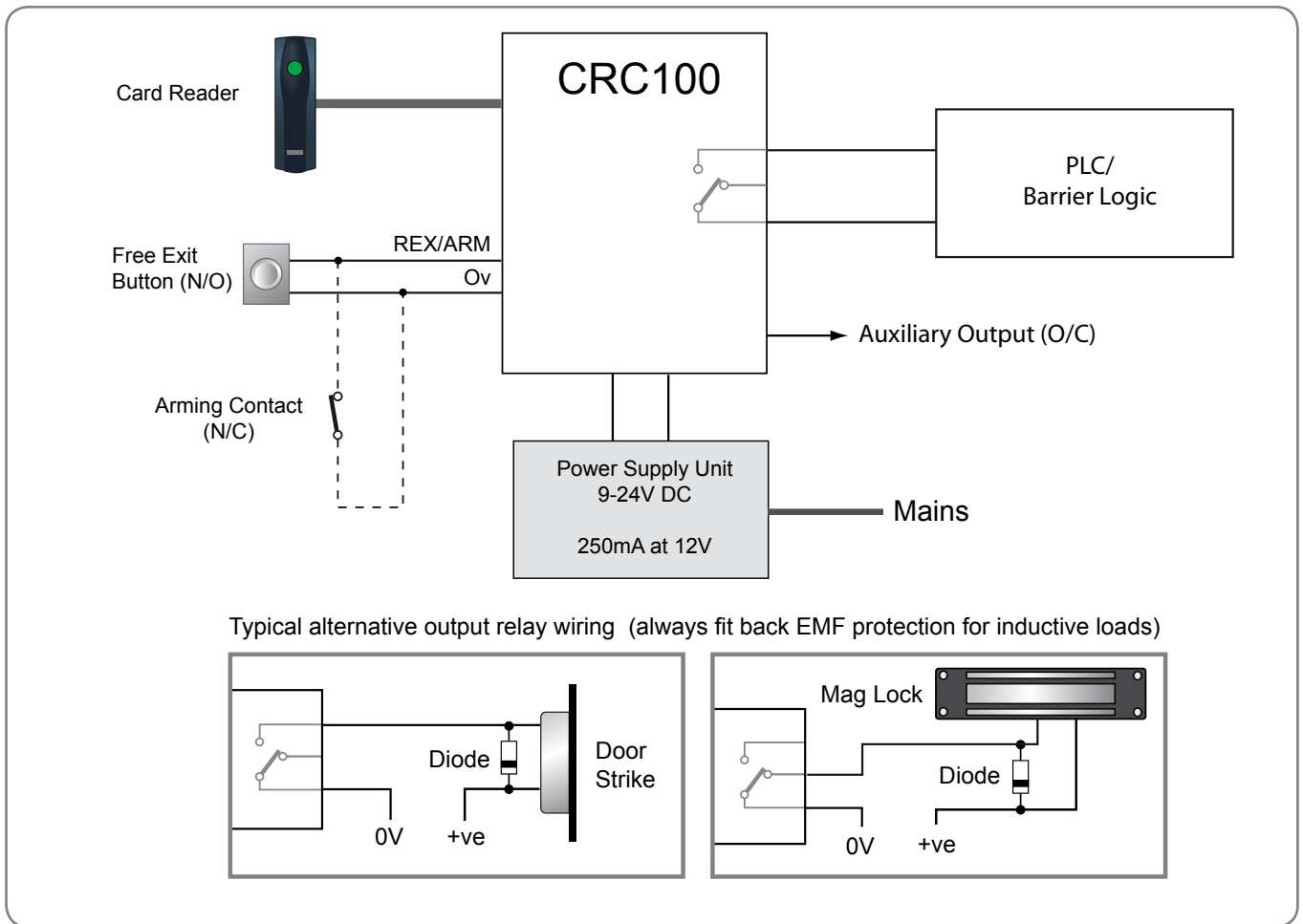
| | |
|-------------------|--|
| Latch Relay: | Change-over contacts rated at 2A at 30V DC. Programmable operate time 0.5 to 30 seconds. |
| Auxiliary Output: | Open-collector output for auxiliary control. |

Cabling

| | |
|-------------------|--|
| CRC100 to Reader: | Belden 9536 or equivalent (6-core, 24 AWG stranded, overall foil shield) - 100m maximum length |
|-------------------|--|

CRC100 Standalone Card Reader Controller

Connection Details



Supported Readers/Input Devices

DP2200 DualPROX® proximity reader range
EM2100 125kHz proximity card reader range
RH301 Magnetic stripe card reader
MRC310 Card capture reader
ASR6xx HID Indala proximity card reader

600X HID Proxpoint® plus proximity reader range
RH305 Barcode reader
LMB60XX Hyper X RFID reader range
RC-W RF RF remote control receiver
T2000RX Multi-code Track AVI receiver

Alternative Products

CRC105 Combined CRC100 reader controller with proximity card reader in outdoor housing.
CRC200 Dual reader controller for standalone or managed access control.

CRC220 Cost effective 2-reader controller for use in a Norpass2 managed network.
NanoQuest Standalone proximity card reader and controller for up to 600 ISO1443 type cards.

Ordering Information

CRC100-S Single door card reader controller with capacity for 10,000 sequentially encoded cards.
CRC100-R Single door card reader controller with capacity for 1,600 randomly encoded cards.

CRC100-S-ENC Single door sequential card reader controller within an enclosure with integral PSU.
CRC100-R-ENC Single door random card reader controller within an enclosure with integral PSU.