

RF Remote Control - Standalone Access Control

PRODUCT DESCRIPTION

Radio frequency technology has traditionally been used to remotely control barriers, automatic gates and doors by utilising hand-held transmitters and remote receivers. The latest family of products includes a range of individually coded hand-held transmitters together with compact receiver/controllers that can learn and store up to 10 hand transmitter codes per channel. The transmitters use the UK approved frequency of 868 MHz.



FEATURES

Transmitters

- Factory coded with over 70 million options
- Code duplication by user is possible
- Choice of models with up to 4 channels per transmitter
- Up to 100m operating range (under open field conditions)

Receivers

- Learn and memorise transmitter codes
- Up to 4 channels per receiver
- Up to 10 transmitter codes per channel
- Voltage free output relay contacts
- Range of output control options
- Memorises up to 10 on and 10 off codes.

Wiegand Converter

- Accepts transmitter codes from Nortech RF transmitters
- Converts transmitter codes to Wiegand format
- Compatible with Nortech Controllers
- Can be used to provide access control in addition or instead of proximity cards, RFID, etc.

OEM 4-Channel Transmitter

- Transmits RF codes under the control of external Normally Open relay contact
- Push button or switch function

APPLICATIONS

- Motorised gates and doors
- Vehicle barrier and automatic gate systems
- Industrial access control systems
- Parking management systems
- Vehicle access control systems
- Hi-speed rapid roll doors
- Remote wireless switching



Necklace Transmitter



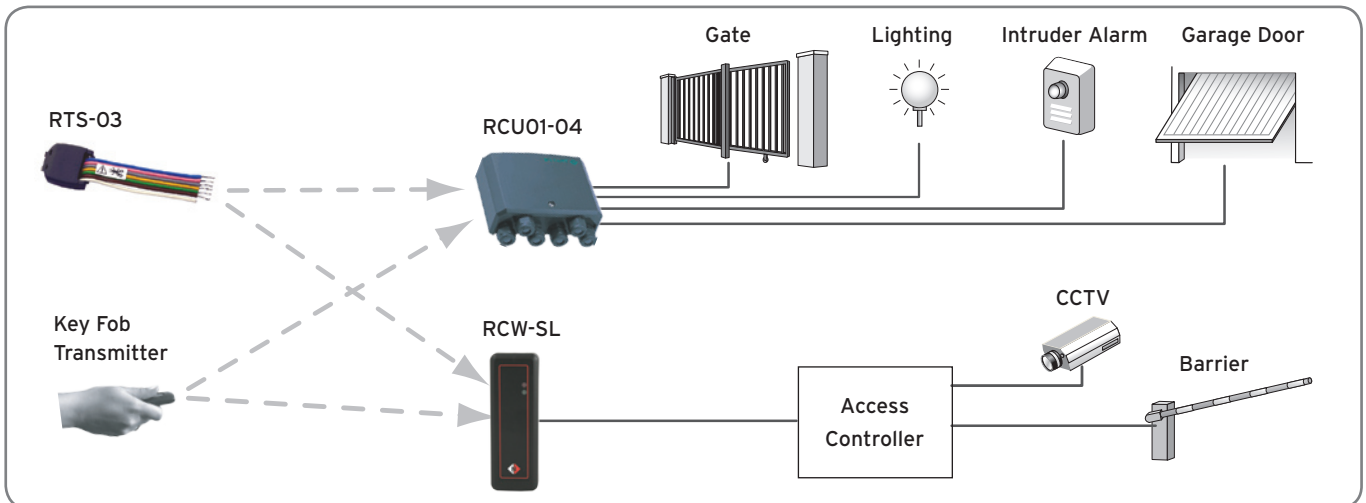
RTS-03 OEM Transmitter



Wrist Strap Transmitter

RF Remote Control - Standalone Access Control

Typical Applications



Specifications

Transmitters

| | |
|-----------------------|---|
| Frequency: | 868.3MHz |
| Coding: | Factory coding (70 million options) |
| Channels: | From 1 to 4 depending upon model |
| Range: | Up to 100m under open field conditions |
| Power supply: | 1 x 3V battery, CR2032 |
| Indicator: | LED |
| Degree of Protection: | IP54 |
| Dimensions (mm): | 1 & 2 channel models - 55 x 36x 16 3 & 4 channel models - 70 x 40 x 17 |
| Approx. weight: | 1 & 2 channel models - 17g |
| (including battery) | 3 & 4 channel models - 25g |

OEM Transmitter (RTS-03)

| | |
|------------------------|--|
| Frequency: | 868.3MHz |
| Coding: | Factory coding (70 million options) |
| Power Supply: | 1 x 3V DC battery, CR2032 Option: 3-5V DC (10mA @ 3V) |
| Transmitting Current: | approx. 12mA |
| Standby Current: | Button function: approx. 2.5µA Switch function: approx. 5.0µA |
| Connections: | Power supply, 4 inputs, function/select |
| Coding: | Factory coding (70 million options) |
| Channels: | 4 |
| Range: | Up to 100m under open field conditions |
| Degree of Protection: | IP20 |
| Operating Temperature: | -20°C to +60°C |
| Dimensions (mm): | 36 x 30 x 10mm (housing) |

Receivers

| | |
|------------------------|--|
| Frequency: | 868.3MHz |
| Coding: | Not necessary (learns the transmitter code) |
| Frequency: | 868.3MHz |
| Operating Modes: | Impulse, ON/OFF, timed, dead man's mode, awning control |
| Power Consumption: | RCL03-01 / RCL04-01: Approx 1VA RCL03-02 / RCL04-02: Approx 1.5VA RCU01-02: Approx 3VA RCU01-04: Approx 5VA |
| Output: | 1, 2 or 4 relay contacts |
| Degree of Protection: | RCL04-01 / RCL04-02: IP65 RCL03-01 / RCL03-02: IP20 RCU01-02: IP65 RCU01-04: IP54 |
| Operating Temperature: | -20°C to +60°C |
| Dimensions (mm): | RCL04-01 / RCL04-02: 114 x 72 x 36 RCL03-01 / RCL03-02: 63 x 35 x 70 RCU01-02: 70 x 162 x 38 RCU01-04: 150 x 110 x 50 |

Wiegand Converter (RCW-SL)

| | |
|------------------------|---------------------------|
| Frequency: | 868.3MHz |
| Power Consumption: | approx. 15 mA (at 24 V) |
| Output: | 26 bit Wiegand |
| Operating Temperature: | -20°C to +60°C |
| Dimensions (mm): | 116 x 40 x 17 (H x W x D) |

Ordering Information

| | | | |
|----------|--|----------|--|
| RT21-01 | Single channel transmitter | RCL04-01 | Single channel receiver, IP65 rated |
| RT21-01S | Sequentially coded single channel transmitter | RCL04-02 | Dual channel receiver, IP65 rated |
| RT21-02 | Dual channel transmitter | RCL03-01 | Single channel receiver, IP20 rated |
| RT20-04 | 4-channel transmitter | RCL03-02 | Dual channel receiver, IP20 rated |
| RT-26 | Single channel wrist strap transmitter | RCU01-02 | Dual channel receiver, mains and low voltage switching, IP65 rated, |
| RT-27 | Single channel necklace transmitter | RCU01-04 | 4-channel receiver, mains and low voltage switching, IP54 rated |
| RTS-03 | 4-channel OEM transmitter that can be incorporated into customer supplied control devices. | RCW-SL | RF receiver with 26-bit Wiegand output, IP65 rated. For use with RT series transmitters and a reader controller. |
| RTC-02 | Wireless keypad | | |